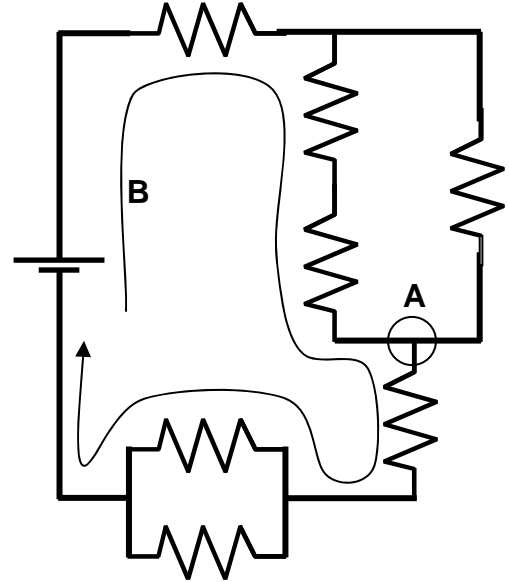


Name: \_\_\_\_\_ Lab Section: \_\_\_\_\_ Date: \_\_\_\_\_

### Prelab: Kirchhoff's Laws

**Instructions:** Prepare for this lab activity by answering the questions below. Note that this is a **PreLab**. It must be turned in at the start of the lab period. Time cannot be given in lab to perform PreLab activities. After the start of lab activities, PreLabs cannot be accepted. Explain your answers. Points will be taken off if your work is not neat and well organized.

1. (5 points) How would you verify the junction rule is correct at the junction labeled A?



2. (5 points) How would you verify the voltage rule is correct for the loop B

3. (5 points) What precautions should be noted before measuring current with the digital multimeter?